

PRODUCT CATALOG

Want More? Visit keverigrills.com

KEVERI

KEVERI H1

● MEDIUM RARE / BLACK TRUFFLE

Multi-purpose charcoal oven for outdoor household use, with 5 Grill Modes. Vertical smoker, charcoal grill, bakery, high-temperature, and pizza oven. All in one.



Medium Rare (H1MR)
MSRP: \$1,390

Black Truffle (H1BT)
MSRP: \$1,390

PRODUCT DETAIL:

Interior Cabin Material:	AISI304 Stainless Steel
Exterior Material:	Steel / High resistant powder coating
Color:	● Red / ● Black
Weight:	158 lb
Measurements (inch):	29 in height x 26 in length x 22 in width

PERFORMANCE INFORMATION

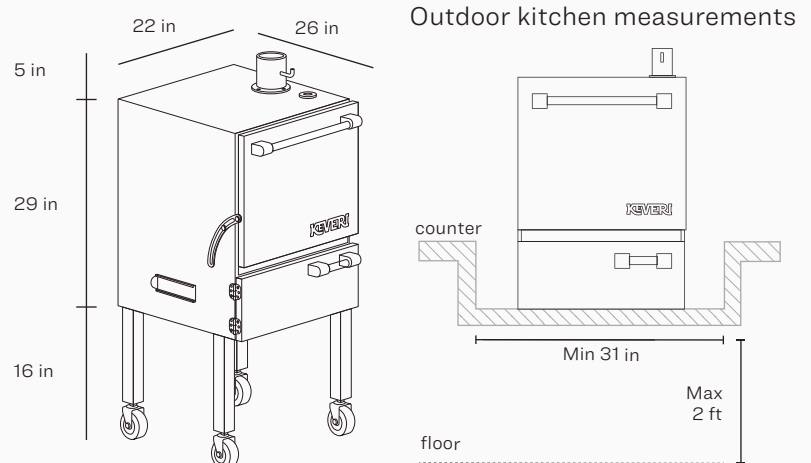
5 Grilling Modes:	Low & Slow / Classic / Baker / Fast Grill / Pizza
Temperature Range:	170°F - 790°F / 80°C - 420°C.
Cooking Capacity:	620sq.in. (expandable to 930sq.in.)
Charcoal Consumption:	3-7 pounds / 1.5-3 Kg
Autonomy p/load:	Up to 12 hours of cooking*

* Autonomy based on a 210°F continuous use.

Included Accesories

- Stainless Steel Tong
- AISI304 Grill Racks 40x50 cm. (x2)
- H1 Cover
- Owner's Manual
- Detachable Cart
- Locking Caster (x2)
- Regular Caster (x2)

Measurements and Assembly



KEVERI H1 INOX

Multi-purpose charcoal oven for outdoor household use, with 5 Grill Modes. Vertical smoker, charcoal grill, bakery, high-temperature, and pizza oven. All in one. Interior and exterior in 304 Stainless Steel.



H1 Inox (H1MR)
MSRP: \$1,990

PRODUCT DETAIL:

Interior Cabin Material:	AISI304 Stainless Steel
Exterior Material:	AISI304 Stainless Steel
Color:	● Stainless Steel
Weight:	152 lb
Measurements (inch):	29.5 in height x 23.6 in length x 21.7 in width

PERFORMANCE INFORMATION

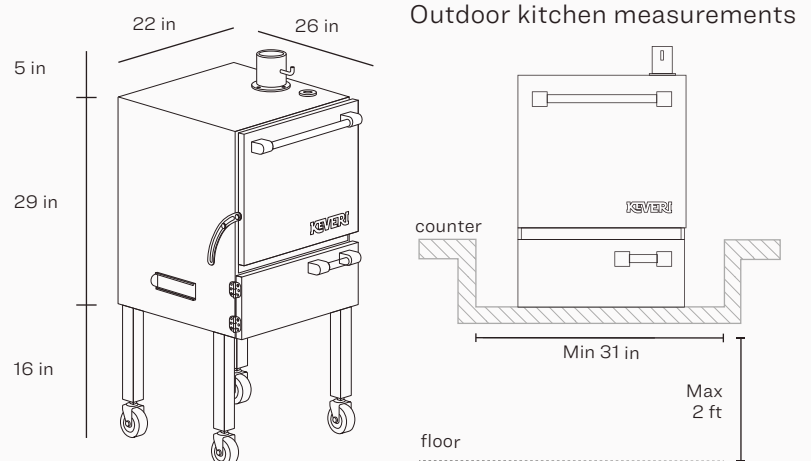
5 Grilling Modes:	Low & Slow / Classic / Baker / Fast Grill / Pizza
Temperature Range:	170°F - 840°F / 80°C - 450°C.
Ignition Time:	Approximately 40 minutes
Charcoal Consumption:	3-7 pounds / 1.5-3 Kg
Autonomy p/load:	Up to 12 hours of cooking*

* Autonomy based on a 210°F continuous use.

Included Accesories

- Stainless Steel Tongs
- AISI304 Grill Racks 40x50 cm. (x2)
- H1 Cover
- Owner's Manual
- Locking Casters (x2)
- Regular Casters (x2)
- Stainless Steel Detachable Cart

Measurements and Assembly



EXTREME HEAT GLOVES

Certified kitchen gloves for high-temperature use (932°F)



SKU AGLO
MSRP: \$34.90

PRODUCT DETAIL:

Inner Material:	Nomex	Heat Resistance Level:
Exterior Material:	35% Polyester / 65% Cotton	930°F: 12 to 15 s
Color:	Black	660°F: 16 to 18 s
Units:	2	480°F: 21 to 23 s
Weight:	0,66 lb	210°F: 55 to 68 s
Measurements (inch):	1.5 in height x 14 in length x 7.5 in width	
Detail:	Certifications EN407	

PIZZA PAN SET

Set of special grates for cooking pizzas at high temperatures.



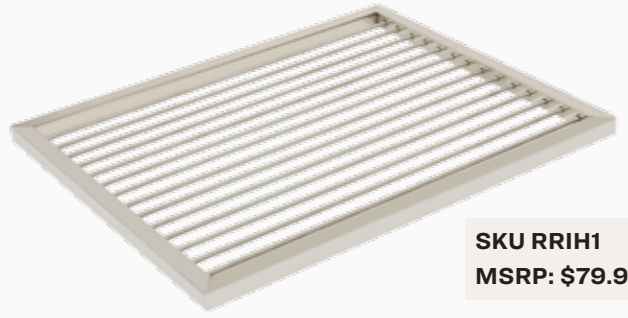
SKU APIZ
MSRP: \$34.90

PRODUCT DETAIL:

Material:	High Resistance Aluminum
Color:	Aluminum Silver
Units:	3
Weight:	0.22 lb
Measurements (inch):	1 in height x 12 in length x 12 in width
Detail:	High temperature resistant (932°F)
Pizza diameter:	12 in

H1 STAINLESS STEEL GRILL RACK

Grill rack for Keveri H1, increases the oven's cooking capacity and space.



SKU RRIH1
MSRP: \$79.90

PRODUCT DETAIL:

Material:	Stainless Steel AISI304
Color:	Stainless Steel
Units:	1
Weight:	6.6 lb
Measurements (inch):	1.25 in height x 19.75 in length x 15.75 in width
Detail:	Solid Bar 6.4mm, 360° rotation
Kitchen Area:	2.000 cm ² / 310 sq.in.
Max. Capacity:	12 burgers / 1 Brisket / 1 Whole Turkey

THE H1 ROOFTOP

Top external rack for Keveri H1, expands the workspace when cooking.

SKU ARTOP
MSRP: \$89



PRODUCT DETAIL:

Material:	Stainless Steel 304 (SS304)
Color:	Stainless Steel
Units:	1
Weight:	33 lb
Measurements (inch):	12.9 in height x 20 in length x 11.6 in width

SKU ASP

THE SIZZLING PACK

Set of cast iron pans, suitable for cooking at both low and high temperatures.

PRODUCT DETAIL:

Material:	Cast Iron
Color:	Black
Units:	5
Weight:	18.74 lb
Measurements (inch):	5.25 in height x 18 in length x 13.25 in width (with box)
Detail:	2 Low Plates / 1 Pan of 8 in / 1 Pan of 12 in / 1 Trivet



SKU ASP
MSRP: \$79.90

SKU RCOV

HI COVER

Rain Cover for Keveri H1. Protects the H1 oven from external elements.

PRODUCT DETAIL:

Interior Material:	Polyester 600D / PVC
Color:	Black
Weight:	2 Kg/4.4 lb.
Measurements (inch):	2 3/4 in height x 11 1/2 in length x 9 3/4 in width (with box)



SKU RCOV
MSRP: \$79.90

SKU ATSC

THE SMOKE CONTROLLER

Ceramic deflector that enables maximum control of smoke, temp. stability, and serves as a base for cooking dough or vegetables.

PRODUCT DETAIL:

Material:	Ceramic	Weight:	7.7 lb
Color:	White	Measurements (inch):	1.3 in height x 15.7 in length x 5.9 in width
Units:	2	Maximum temp. resistance:	1200°F

SKU ATSC
MSRP: \$79.90

